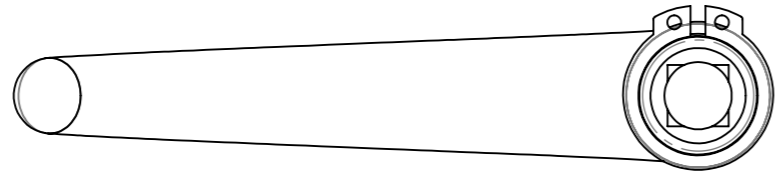
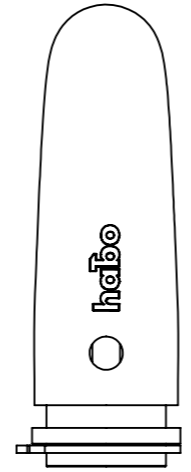
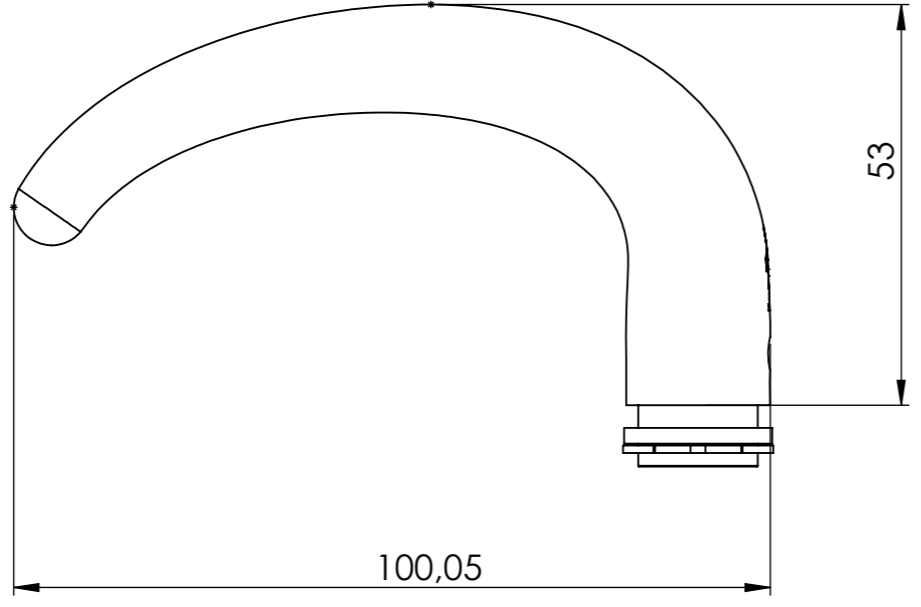
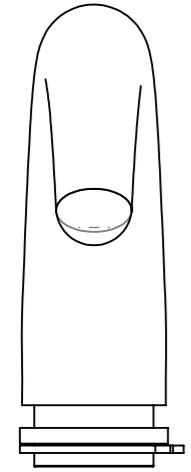
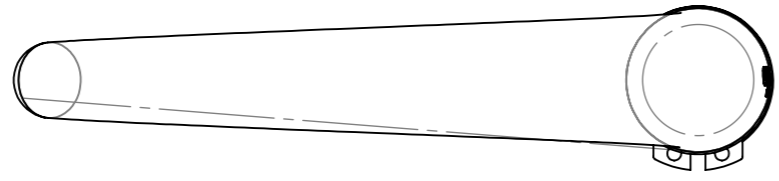


Rev	Note	CreatedBy	Appr.By	Appr.Date



			Tolerance			Project		
	Sign.	Date	Surface treatment			Weight	Scale	First angle projection
Drawn	CF	2017-10-06	Surface finish				1:1	
Appr.			Heat treatment			Material		Sheet
			Title/Description	16253		Drawing number		1/1
							Rev	

**habo**<sup>®</sup>

16253